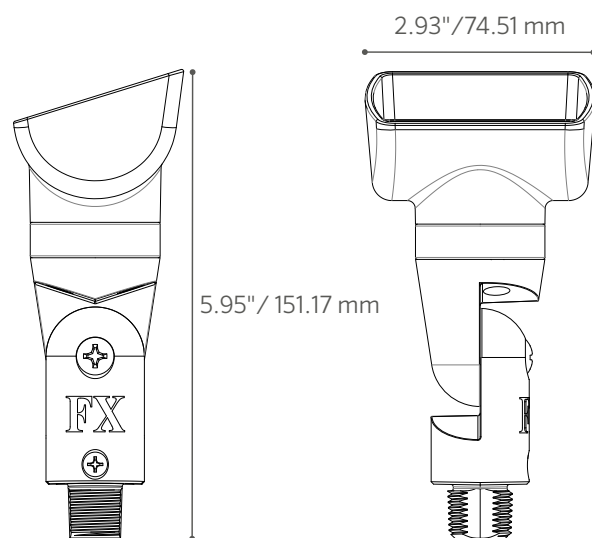
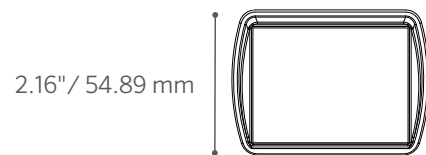




The petite QB LED up light from FX Luminaire® is a 1LED wall wash light with all the same features of the larger PB, and is compatible with Luxor.

QB: Up Light

NUMBER OF LEDS:	1
HALOGEN LUMEN OUTPUT EQUIVALENT:	10 Watt
USEFUL LED LIFE (L70):	50,000 hrs avg
INPUT VOLTAGE:	10 to 15V
VA TOTAL: (Use to size the lighting controller)	2.4
WATTS USED:	2.0
LUMENS PER WATT (EFFICACY)	37
MAX LUMENS:	73
CRI (Ra)	85





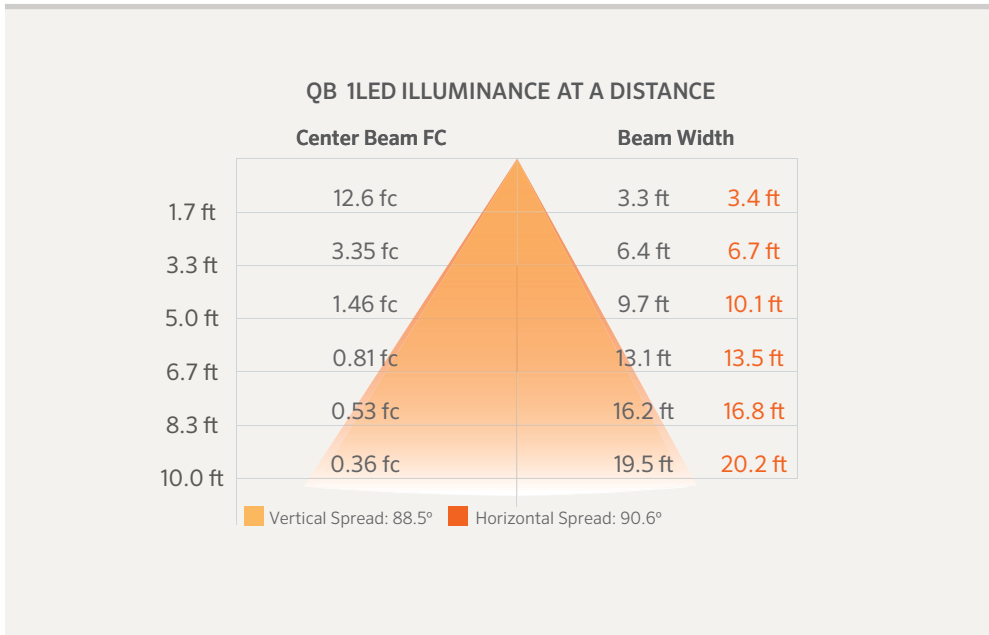
QB: Up Light

FACTORY INSTALLED OPTIONS: Order 1 + 2 (optional) + 3 + 4

Step	Description	Code
1	FIXTURE	QB
2	OPTIONAL ZD	ZD (Refer to the Luxor page in the Lighting Control section)
3	LAMP	1LED (50,000 avg. life hours)
4	FINISH	BZ, DG, WI, SB, FB, WG, FW, AL, VF, SV

EXAMPLE: QB-ZD-1LED-BZ = QB - ZD Option - 1LED Board - Bronze Metallic

PHOTOMETRICS:



Beam angle is defined as two times the vertical angle at which the intensity is 50% of the maximum. It is calculated using LM-79 method for SSL Luminaires.

POWDERCOAT

- WG** = White Gloss

- FW** = Flat White

- SV** = Silver

- AL** = Almond

- BZ** = Bronze Metallic

- DG** = Desert Granite

- WI** = Weathered Iron

- VF** = Verde Speckle

- SB** = Sedona Brown

- FB** = Flat Black

All QB up lights come standard with amber, green, blue and frosted filters

The QB includes a 1 LED board, your choice of finish, 4 ft lead wire and a Super Slot Spike.